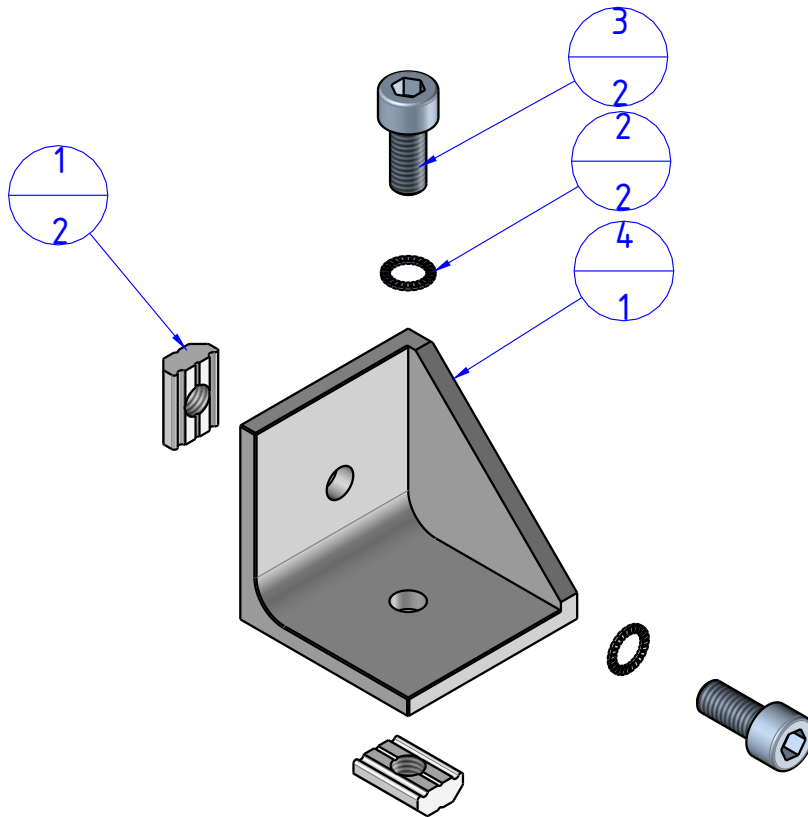
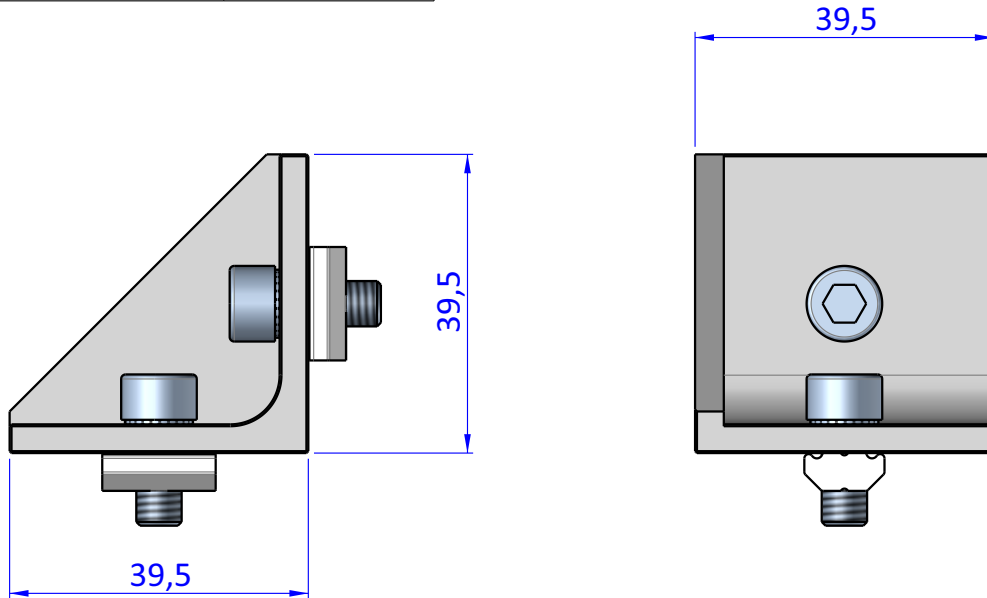

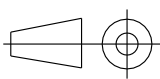


Item	Name	Q.ty
1	CA.GWP.6U	2
2	R.6.SCH	2
3	V.TCE6x14	2
4	WIV.JU.40	1



THE PROPERTY OF THE DRAWING IS ESTABLISHED BY LAW. IT IS FORBIDDEN TO PRODUCE OR SHOW IT TO THIRD PART. WITHOUT A WRITTEN AGREEMENT.

Format A4 UNI 936-76	 FPS SERVICES AUTOMATION			DESIGNED FROM FPS Automation	REVIEW A
	GENERAL TOLERANCE UNI - ISO 2768 CLASSE f		DESCRIPTION CA.WIV.JU.40	DATE 03/10/2022	WEIGHT 0,059kg
				CODE CA.WIV.JU.40	